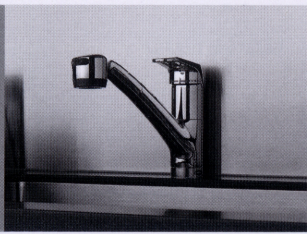


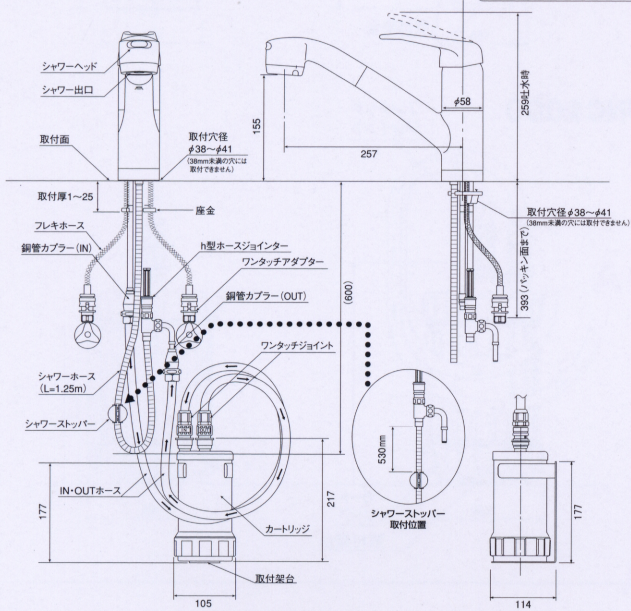
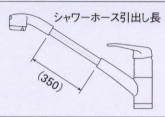
F903



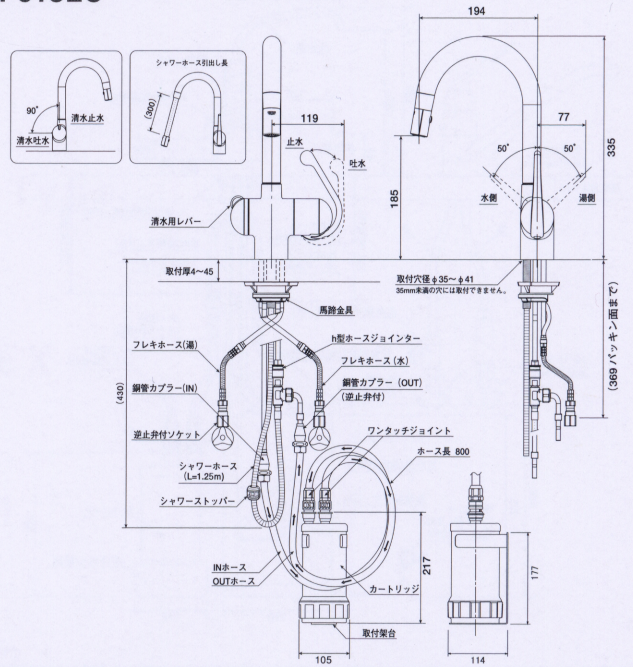
F913



F903ZC



F913ZC



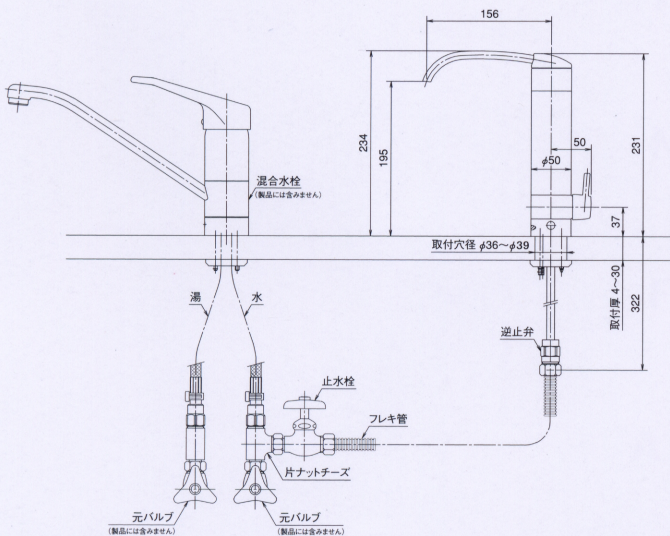
N301



F402



N301



F402

